



Profi

PROFESSIONAL MANUAL TILE CUTTER

SIDE EXTENSIONS

Very practical for cutting big sizes of tiles.

PACKAGING

Multilingual flexographed packaging.

TRANSPORT

Very easy to carriage with all the parts closed, to reduce the encumbrance.

	Art. 61600	Art. 61300	Art. 61000	Art. 6800	Art. 6601	Art. 6401
CUTTING LENGTH	1630 mm	1330 mm	1030 mm	830 mm	630 mm	450 mm
MAX SIZE TILE FOR DIAGONAL CUTS	1150x1150 mm	940x940 mm	720x720 mm	580x580 mm	440x440 mm	320x320 mm
CUTTING THICKNESS	5 - 15 mm					
CUTTING WHEEL	Ø 15 x 6 x 1,5 mm					
PACKING DIMENSION	1996x285x 265 mm	1696x285x 265 mm	1396x285x 265 mm	1196x285x 265 mm	996x285x 265 mm	816x285x 265 mm
PIECES ON PALLET	14		21		28	
PALLET DIMENSION	720x1990x 2080 mm	720x1750x 2080 mm	880x1400x 2080 mm	880x1200x 2080 mm	1000x1200x 2080 mm	820x1200x 2080 mm
NET WEIGHT	19 Kg	16,5 Kg	13,6 Kg	12 Kg	9,2 Kg	7,8 Kg



*Designed
and made
in Italy*



BATTIPAVTM
MACCHINE PER EDILIZIA | MACHINES FOR BUILDING

Z. i. 2 - Via Cavatorta, 6/1 | 48033 Cotignola (Ra) | ITALY
Tel. +39 0545 40004 | Fax +39 0545 41724
www.battipav.com | sales@battipav.com

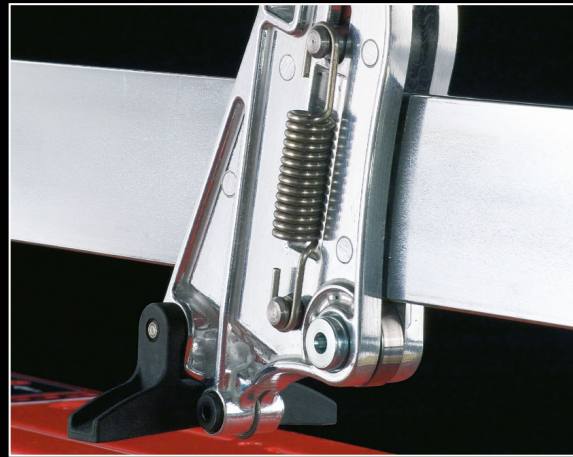
AUTHORIZED DEALER:



March 2016

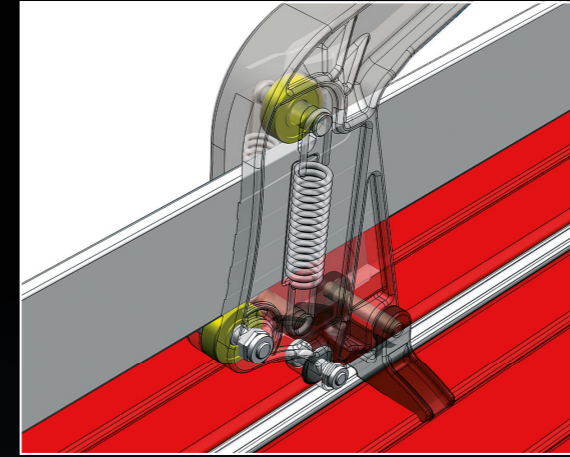
APPLICATION

Built to cut single-double fired ceramic and porcelain stoneware tiles



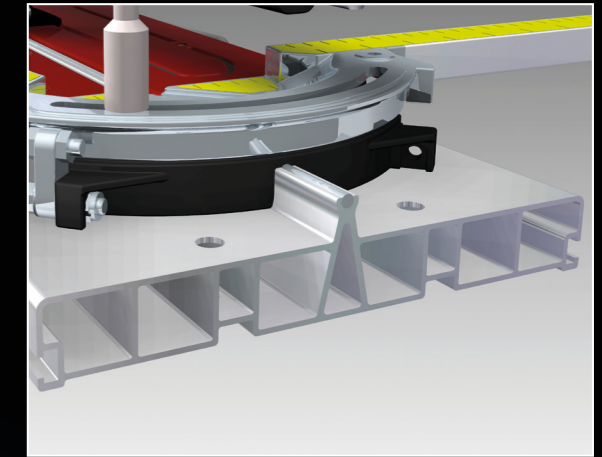
QUICK START SYSTEM

The carriage is provided with springs that makes the handle always ready to cut.



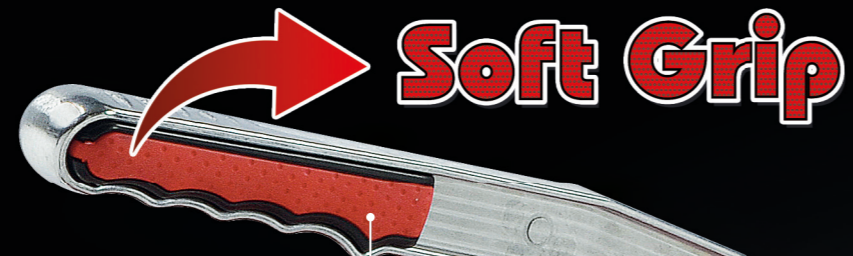
CARRIAGE

The carriage in aluminium is equipped with two ball-bearings for a perfect sliding and top precision.



STRUCTURE

Strong body made in aluminium draw-plate to get rigidity and lightness at the same time.

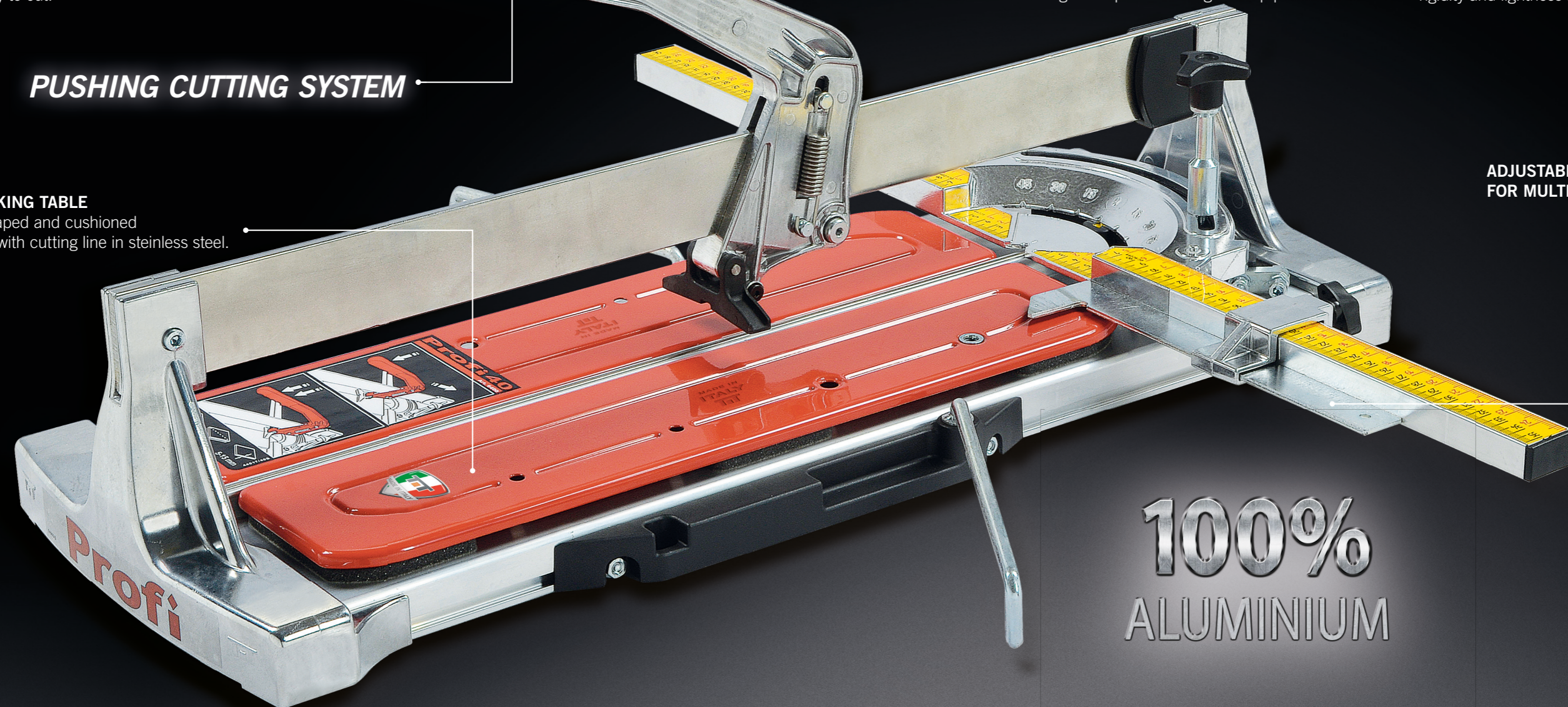


PUSHING CUTTING SYSTEM

WORKING TABLE

In shaped and cushioned steel with cutting line in stainless steel.

ADJUSTABLE SUPPORT FOR MULTI-CUTS



**100%
ALUMINIUM**

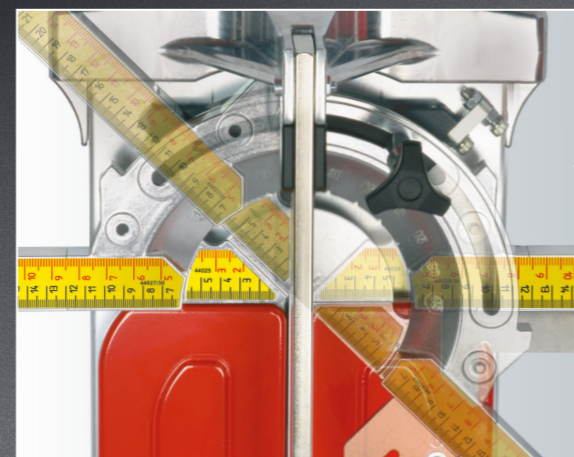
STRAIGHT CUTS

Goniometric square in "90°" position for a direct reading of the measurement for straight cuts (**Black lower scale**).



GONIOMETRIC SQUARE

It can be rotated in all the direction: from **-45° to 0 to +45°**. Provided with double metric scale for the direct reading of the measurement of straight and diagonal cuts.



DIAGONAL CUTS

Goniometric square in "45°" position for a direct reading of the measurement for diagonal cuts (**Red upper scale**).

